

Pressure valves

shut-off valve

brass or stainless steel

E 09.01.01

Ed.12.01

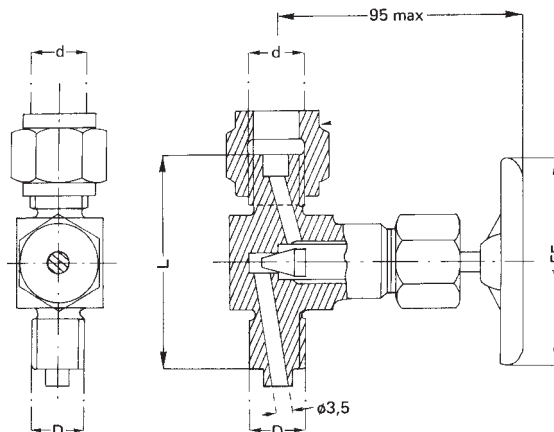
Shut-off valve

Inlet with fixed male tread with spigot

Outlet with union connection (LH/RH) for pressure gauge

Sealing washer of graphite and wheel of pressed steel

Valve body and connection of brass SIS 5170 or stainless steel SS 2348



Type	Material	PN	DN	D	d	L	Code
441 M	brass	100	8	G1/4"	G1/4"	50	44100001
441 M	brass	100	10	G3/8"	G3/8"	53	44100002
441 M	brass	100	15	G1/2"	G1/2"	64,4	44100003
441 S	SS 2348	400	10	G3/8"	G3/8"	54,2	44100202
441 S	SS 2348	400	15	G1/2"	G1/2"	62	44100203

Deagreed for oxygen services

Type	Material	PN	DN	D	d	L	Code
441 M	brass	100	10	G3/8"	G3/8"	53	44100012
441 M	brass	100	15	G1/2"	G1/2"	64,4	44100013
441 S	SS 2348	400	10	G3/8"	G3/8"	54,2	44100212
441 S	SS 2348	400	15	G1/2"	G1/2"	62	44100213

Pressure rate and temperature

Brass - pressure rate PN 100		
Pressure	16 bar	100 bar
Temp	110°C	20°C

Stainless steel SS2348 - pressure rate PN 400				
Pressure	20 bar	125 bar	160 bar	400 bar
Temp	300°C	200°C	125°C	20°C